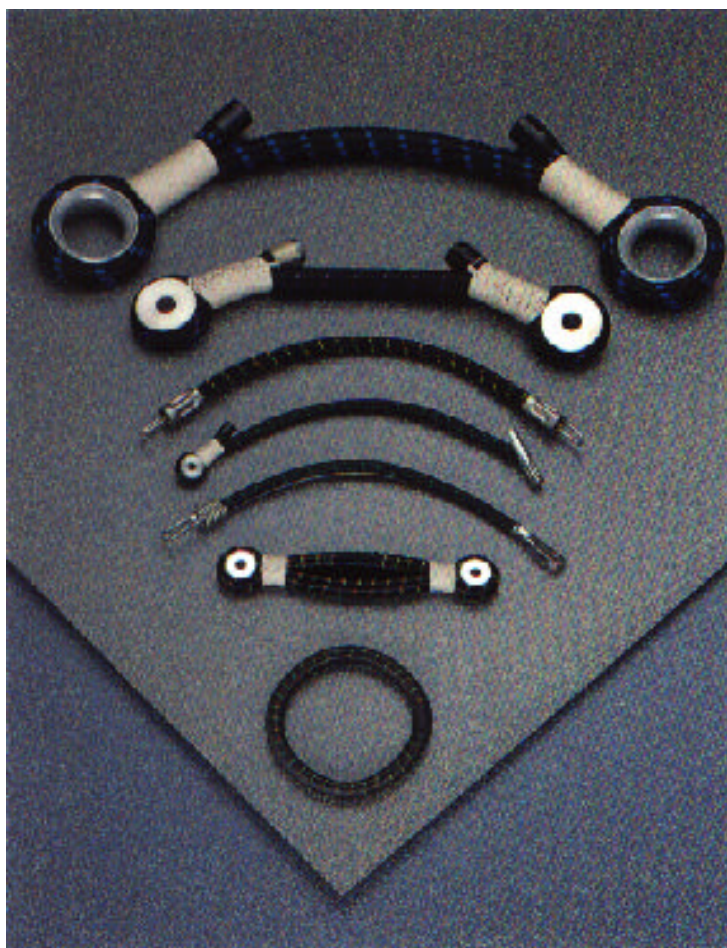

CIRCULAR AND LINEAR ELASTIC CORDS

Diameters from 6 to 25 mm

Our elastic cords are available in a wide range of diameters and lengths and are perfectly adapted for the design of flexible suspension systems.

We are at your disposal to design your needs and to supply shockcords rings or complete suspension systems including mechanical parts.



Enclos d'Esquerre - 31380 VILLARIES - FRANCE

Phone N°: (+ 33) 5 61 84 36 98 - Fax N°: (+ 33) 5 61 84 17 91

E-mail: prodera@prodera.com - <http://www.prodera.com>



PRODERA

CIRCULAR AND LINEAR ELASTIC CORDS

Data sheet 00-EC0001-a

The manufacturer reserves the right to change technical or mechanical specifications of its products at any time.

SHOCKCORDS RINGS : diameters from 6 to 25 mm

ENDLESS ELASTIC CORDS



SHOCKCORDS RINGS : diameters from 6 to 25 mm

① SANDOWS ANNULAIRES CONTINUS

Qualité AVIA seulement - Code R -

Diamètres intérieurs pour type R

Ø Nominal Nominal dia.	Diamètre intérieur - Internal diameter Tolérance ±4% - Tolerance ±4%	
	min	max
6/7	80	300
8/9	80	350
10/11	80	500
12/13	80	500
14/15	100	900
16/18/20	120	900
22/25	200	1000

**POUR DÉFINIR LA FORCE, SE RÉFÉRER AU
DIAGRAMME MULTIPLIÉE PAR DEUX
(OU PLUS SUIVANT LE MONTAGE)**

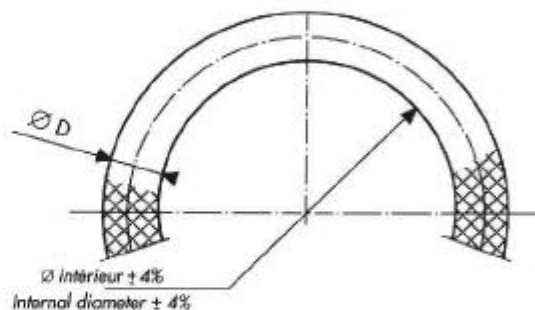


Exemple de montage
Example of assembly
Force × 2

① ENDLESS SANDOW SHOCKCORD RINGS

Available in AVIA quality only Code: R

Internal diameters for R type :



Ø Intérieur ±4%
Internal diameter ±4%

Diamètre intérieur, voir tableau
Refer to table for internal diameters

**TO DEFINE THE FORCE, REFER TO THE FORCE
GRAPH AND MULTIPLY BY 2
(OR MORE DEPENDING ON ASSEMBLY)**



Exemple de montage
Example of assembly
Force × 4

Enclos d'Esquerre - 31380 VILLARIES - FRANCE

Phone N°: (+ 33) 5 61 84 36 98 - Fax N°: (+ 33) 5 61 84 17 91

E-mail: prodera@prodera.com - <http://www.prodera.com>



PRODERA

CIRCULAR AND LINEAR ELASTIC CORDS

Data sheet 00-EC0001-a

The manufacturer reserves the right to change technical or mechanical specifications of its products at any time.