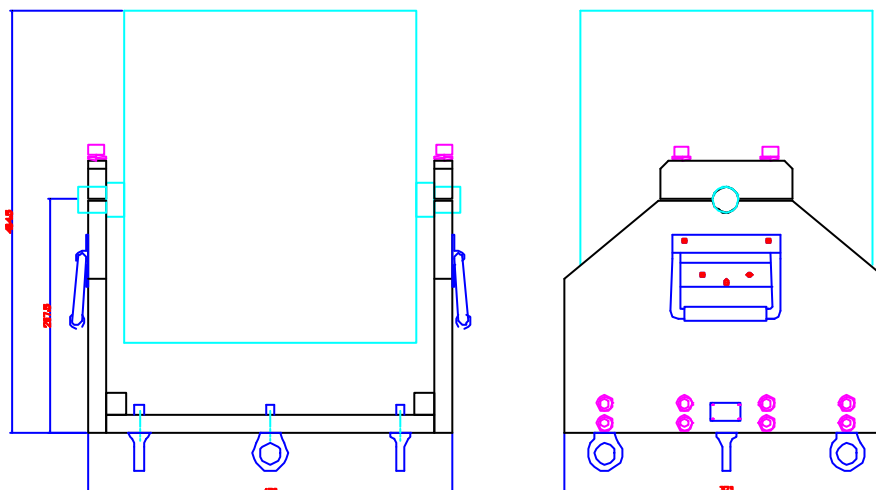




The trunnion type BF 520 has been developed to allow a stable support for the shaker type EX 520 C50. It can be directly installed on its rubber feet to operate at relatively high frequency and it must be securely attached for low frequency tests. The trunnion BF 520 is also designed to be suspended by one or four attachment points by means of elastic cords or springs.



Approx. weight 10.5 kg

Enclos d'Esquerre - 31380 VILLARIES - FRANCE

Phone N°: (+ 33) 5 61 84 36 98 - Fax N°: (+ 33) 5 61 84 17 91

E-mail: prodera@prodera.com - <http://www.prodera.com>



PRODERA